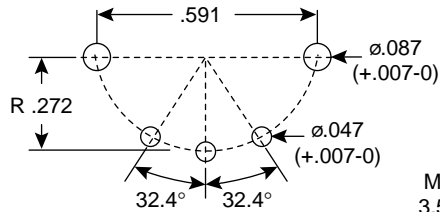
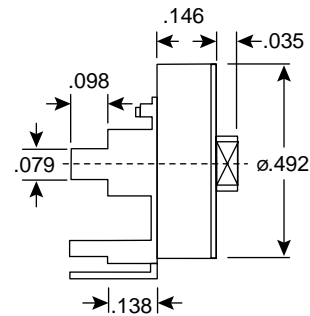
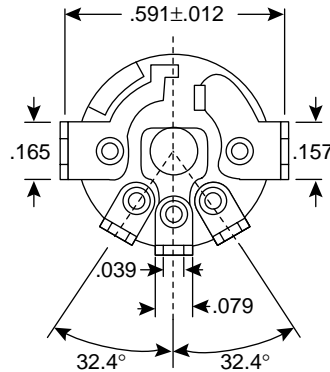
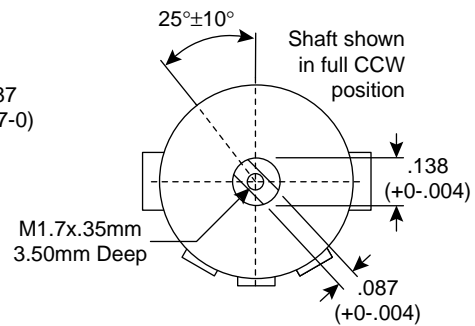


Dimensions (In.)
(except where noted)



Mounting Holes



Specifications:

- Type: PC mount, 12mm subminiature thumbwheel
- Resistance tolerance: $\pm 20\%$
- Rotation angle: $230^\circ \pm 2^\circ$
- Rotation torque: 20~200gf.cm
- Rotation life: 15,000 cycles
- Stop strength: > 2Kgf.cm/min.

Mouser Stock Number	Description	Wattage (W)	Voltage (V) max.	Values (Ω)
311-1202-Value	Audio taper	.04	100	1K, 5K, 10K, 50K, 100K, 500K
311-1206-Value	Linear taper	.08	150	1K, 5K, 10K, 50K, 100K, 500K